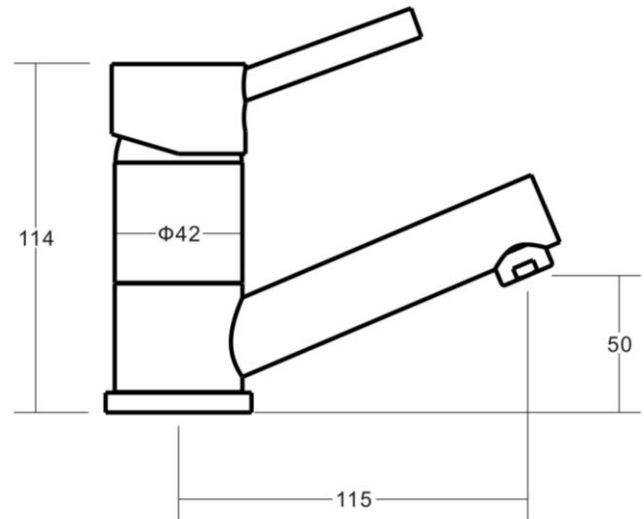


FLEX Basin Mixer Swivel

Featuring the Exclusive Collection

alder tapware



FOR MORE INFORMATION VISIT
www.aldertapware.com.au

AVAILABLE FINISH:



CHROME

SPECIFICATIONS

PRODUCT CODE:	45091 CHROME
	5 STAR 6 Litres/Min
MATERIAL:	BRASS
CARTRIDGE:	35mm ceramic disc
TEMPERATURE:	MAX 75° C
PRESSURE:	MAX 500 KPA
CONNECTIONS:	½" BSP Female
Installation:	32mm Tail locked into the mixer body
ACCREDITATIONS:	AS/NZS 3718 – WM 002002



PRODUCT FEATURES

- FLEX is a fresh take on a pin lever with an upward swept lever and spout for a more architectural design
- Solid brass construction with a swivel spout
- H & C etched on handle
- AMOR-KOTE™ superior scratch resistant finishes
- MIXER-LOK™ ensures your mixer never works loose
- Australian designed and engineered
- 15 year cartridge warranty